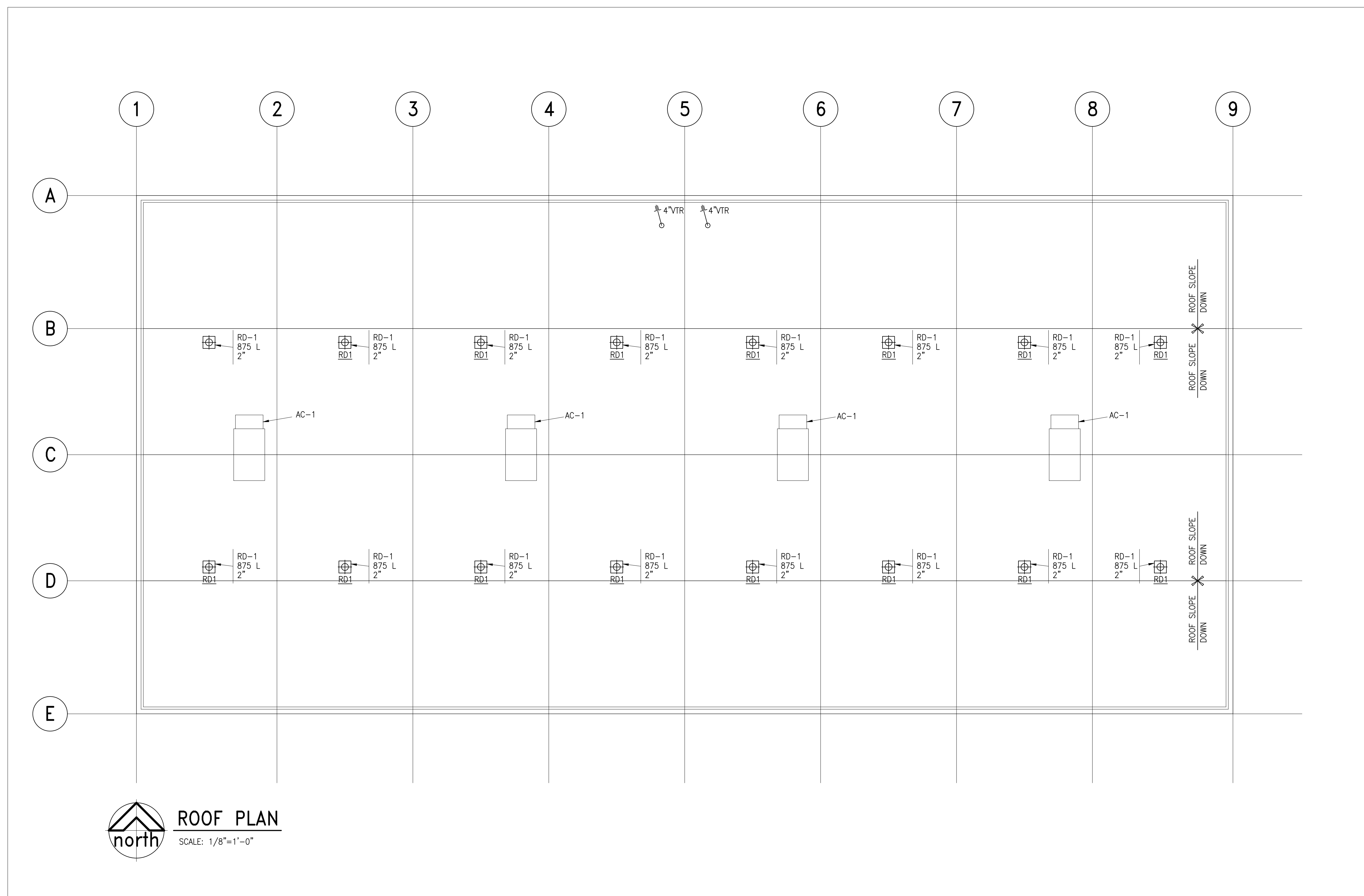




**THOMPSON
RIVERS
UNIVERSITY**

805 TRU Way
Kamloops, BC
V2C 0C8
Tel: 250-828-5000
www.tru.ca/ARET

**ARCHITECTURAL
& ENGINEERING
TECHNOLOGY**



| No. | Revision | Date | By |
|-----|----------|------|----|
| 1 | | | |

PROJECT NAME
**Mall Development
#455 -5th Avenue
Kamloops, B.C.**

DRAWING TITLE
**DWV
ROOF
PLAN**

SCALE
1/8" = 1'-0"

DRAWN BY
CLARK

CHECKED
PRESCOTT

DATE
25 NOV 2020

JOB NO.
2500-2020

DRAWING NO.

P3



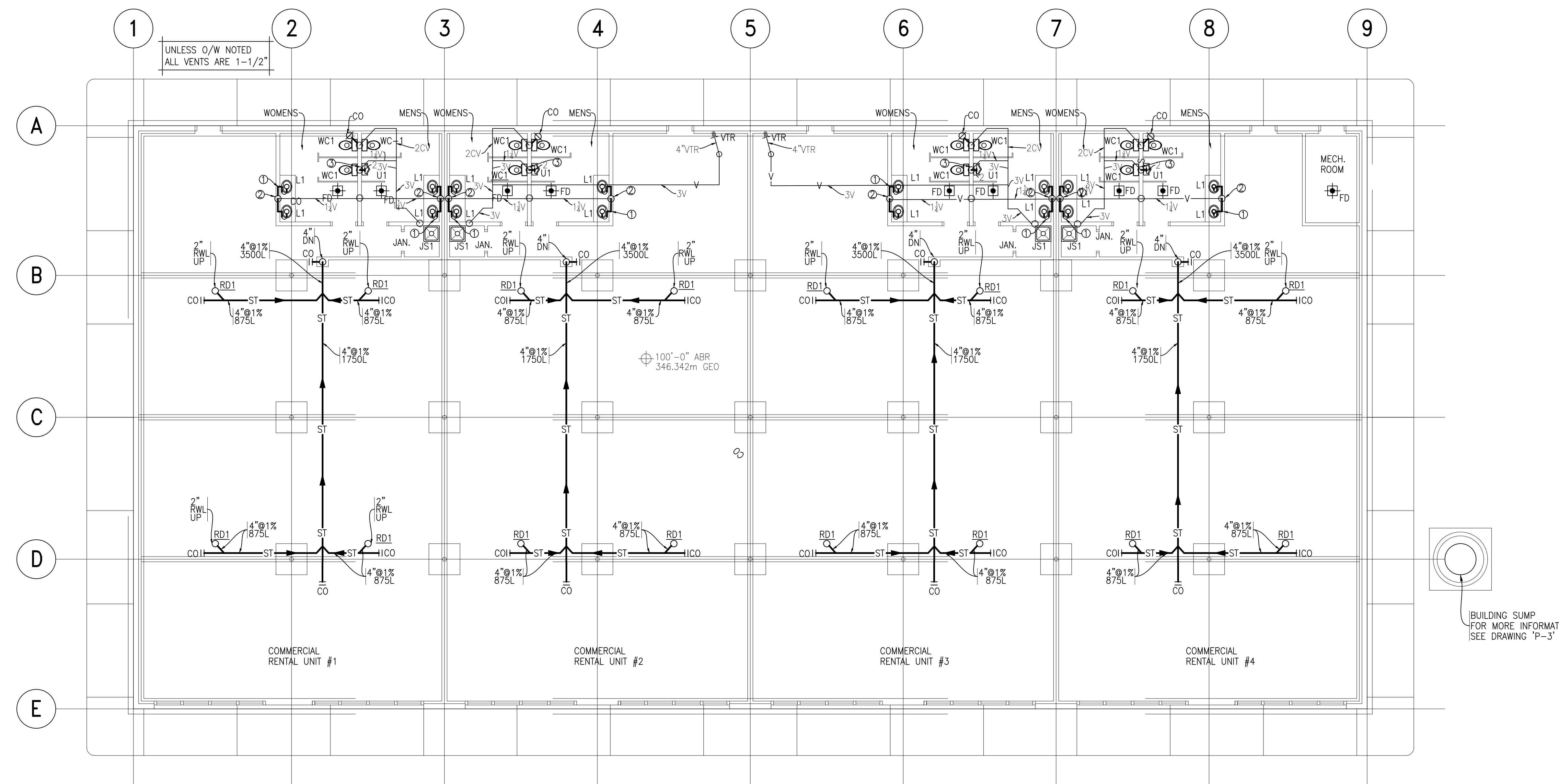
THOMPSON RIVERS UNIVERSITY

805 TRU Way
Kamloops, BC
V2C 0C8
Tel: 250-828-5000
www.tru.ca/ARET

ARCHITECTURAL & ENGINEERING TECHNOLOGY

NOTES:

- ① 1-1/4" FIXTURE DRAIN AND TRAP TYPICAL OF TWO.
- ② 1-1/4" BRANCH DRAIN DOWN. INCREASE BRANCH TO 2" AT 6" AFF. PROVIDE CLEANOUT ON WASHROOM SIDE AT PIPE TRANSITION.
- ③ 2" FIXTURE DRAIN DOWN. PROVIDE CLEANOUT AT 6" AFF DIRECTLY BELOW WALL MOUNTED URINAL.



FLOOR PLAN
SCALE: 1/8" = 1'-0"

| No. | Revision | Date | By |
|-----|------------------------|-------------|----|
| 1 | DWV DRAWING SUBMISSION | NOV 25 2020 | HC |
| | | | |
| | | | |
| | | | |
| | | | |
| | | | |
| | | | |
| | | | |
| | | | |
| | | | |
| | | | |

PROJECT NAME
Mall Development #455 -5th Avenue Kamloops, B.C.

DRAWING TITLE
DWV FLOOR PLAN

SCALE
1/8" = 1'-0"

DRAWN BY
CLARK

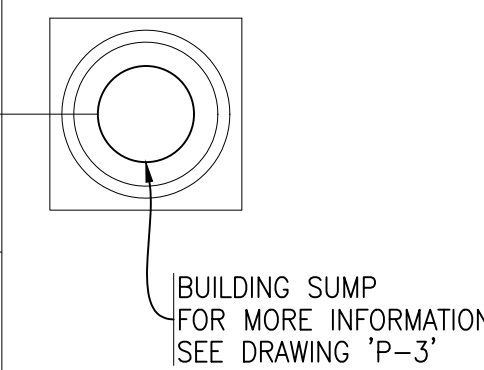
CHECKED
PRESCOTT

DATE
25 NOV 2020

JOB NO.
2500-2020

DRAWING NO.

P3

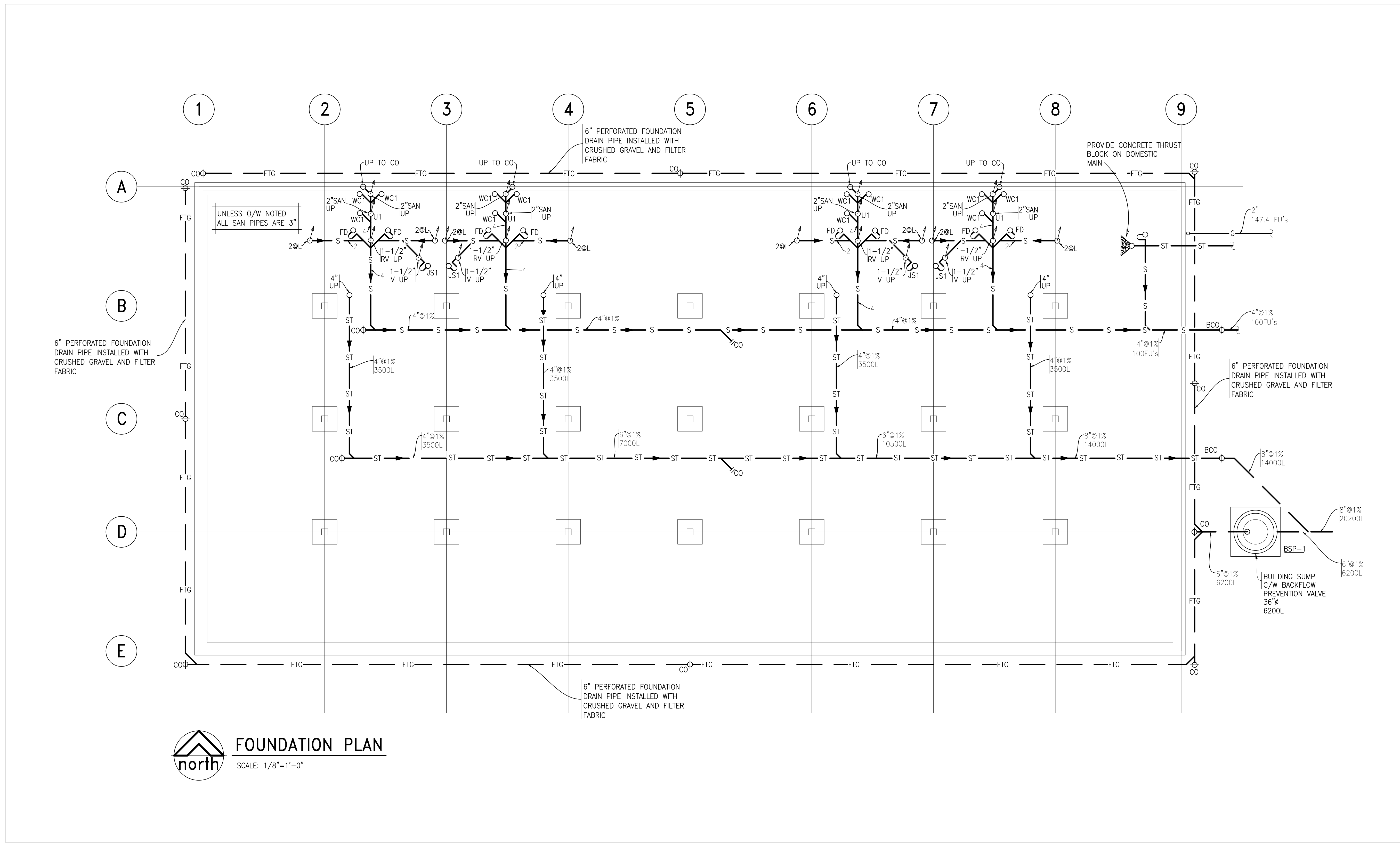


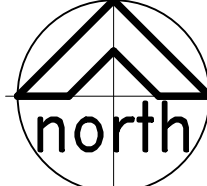


THOMPSON RIVERS UNIVERSITY

805 TRU Way
Kamloops, BC
V2C 0C8
Tel: 250-828-5000
www.tru.ca/ARET

ARCHITECTURAL & ENGINEERING TECHNOLOGY



 **FOUNDATION PLAN**
SCALE: 1/8"=1'-0"

| | | | |
|-----|-------------|------|----|
| 1 | DWV DRAWING | NOV | HC |
| | SUBMISSION | 25 | |
| | | 2020 | |
| No. | Revision | Date | By |

PROJECT NAME
Mall Development #455 -5th Avenue Kamloops, B.C.

DRAWING TITLE
DWV FOUNDATION PLAN

SCALE
1/8" = 1'-0"

DRAWN BY
CLARK

CHECKED
PRESCOTT

DATE
25 NOV 2020

JOB NO.
2500-2020

DRAWING NO.

P3